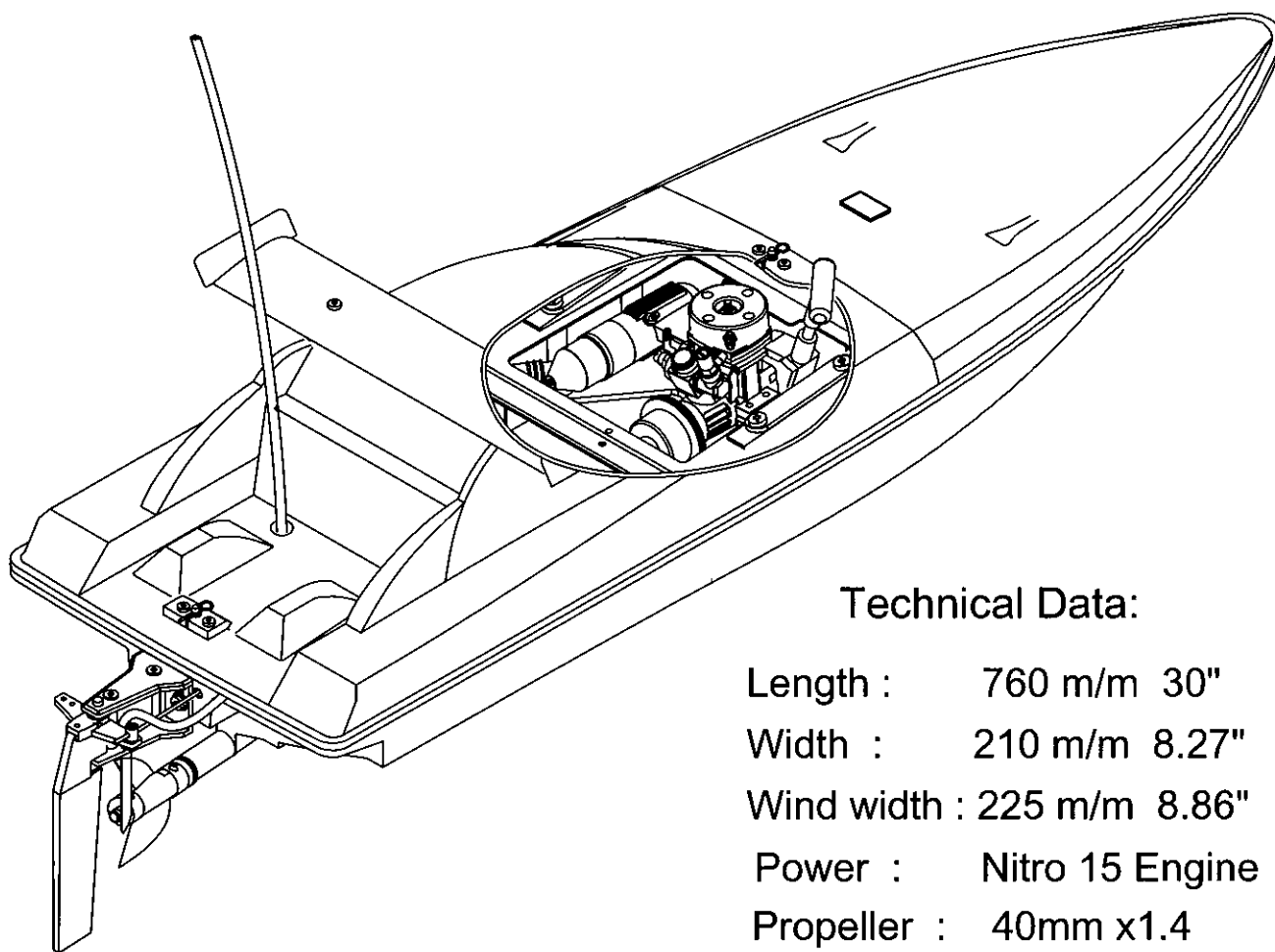


HIGH PERFORMANCE RACING BOAT

ANDERSON

Assembly Instruction

PLEASE READ AND FULLY UNDERSTAND THIS
INSTRUCTION BEFORE STARTING ASSEMBLY



Technical Data:

Length : 760 m/m 30"

Width : 210 m/m 8.27"

Wind width : 225 m/m 8.86"

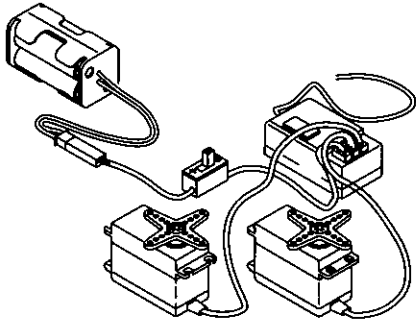
Power : Nitro 15 Engine

Propeller : 40mm x1.4

SERIES GP
SINTRA 700

Required for Operation

Radio Control Set-2Channel



AA-Size Batteries 12Pcs.



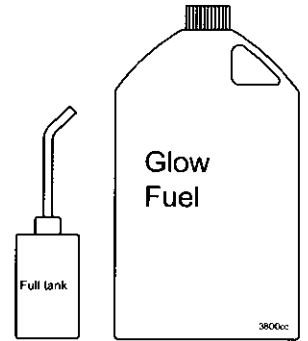
Glow starter



Plug

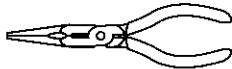


Glow Fuel



Tools Required

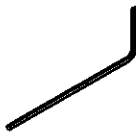
Long Nose Pliers



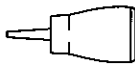
Wire Cutter



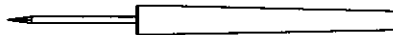
2.0mm Hex Wrench



Instant Glue



Awl



Modeling Knife



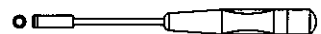
1.5mm Hex Wrench



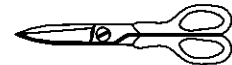
Phillips Screwdriver (L,M,S)



2mm & 3mm Nut Driver



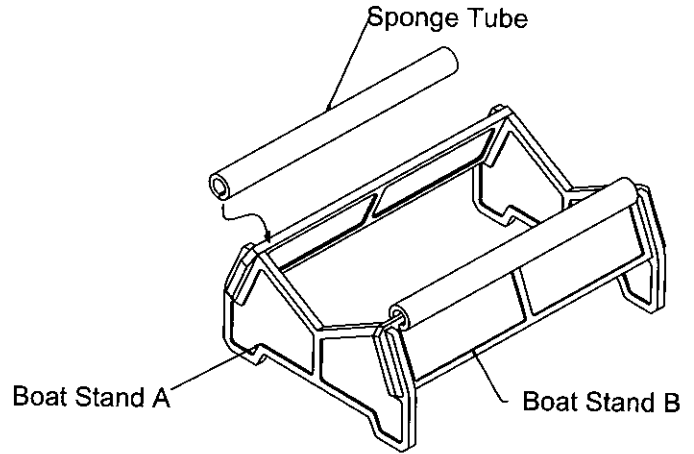
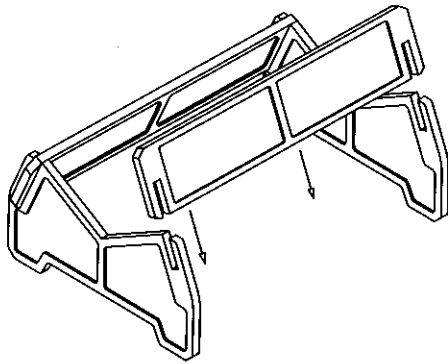
Small Scissors



Recommandations Importantes

Please arrange in this section for French.


1

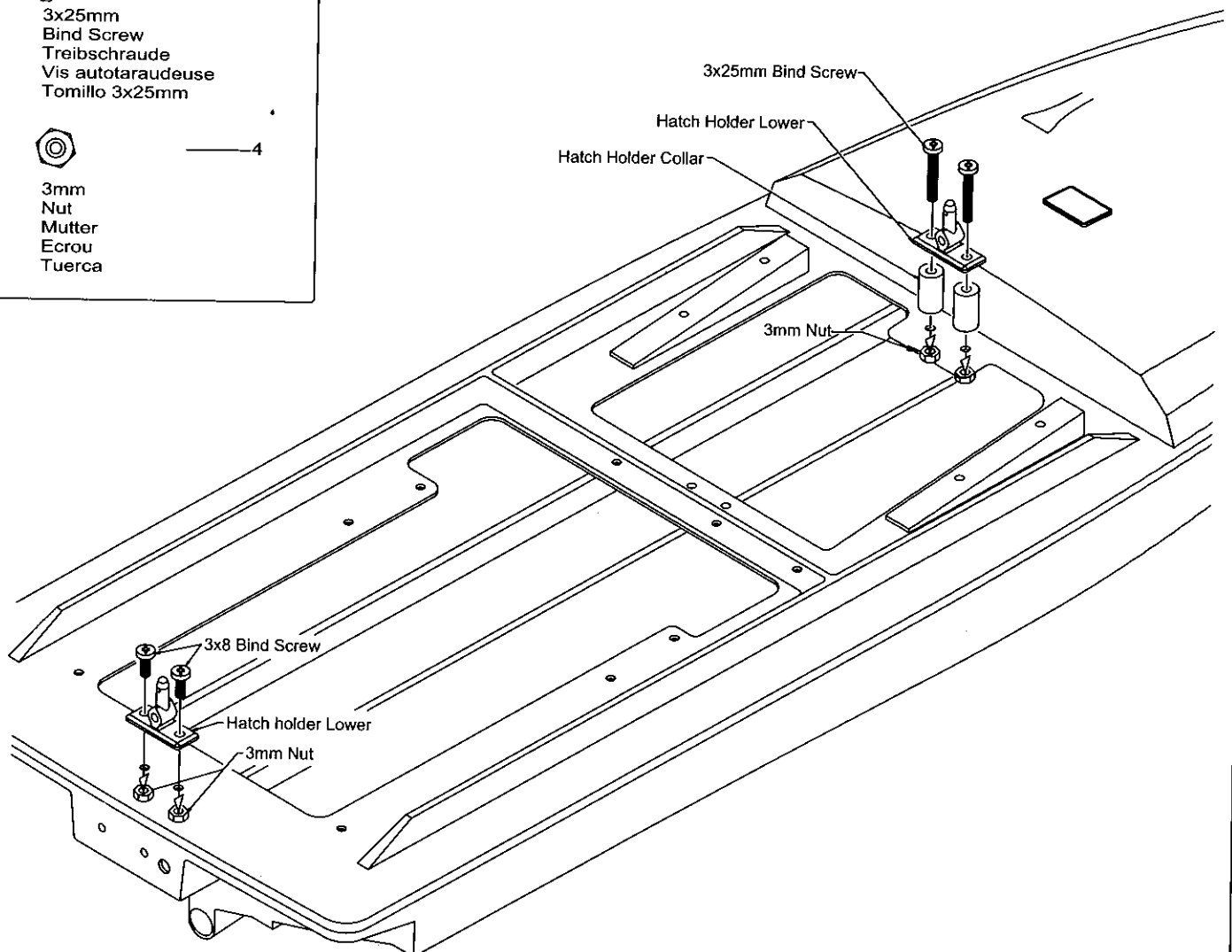


2

 — 2
 3x8mm
 Bind Screw
 Schraube
 Vis
 Tomillo 3x8mm

 — 2
 3x25mm
 Bind Screw
 Treibschraube
 Vis autotaraudeuse
 Tomillo 3x25mm

 — 4
 3mm
 Nut
 Mutter
 Ecrou
 Tuerca



3

4
3x16mm
Bind Screw
Schraude
Vis
Tomillo 3x16mm

4
4x6mm
Bind Screw
Schraude
Vis
Tomillo 4x6mm

4
4x12mm
Bind Screw
Schraude
Vis
Tomillo 4x12mm

2
2.6x30mm
Bind Screw
Schraude
Vis
Tomillo 2.6x30mm

4

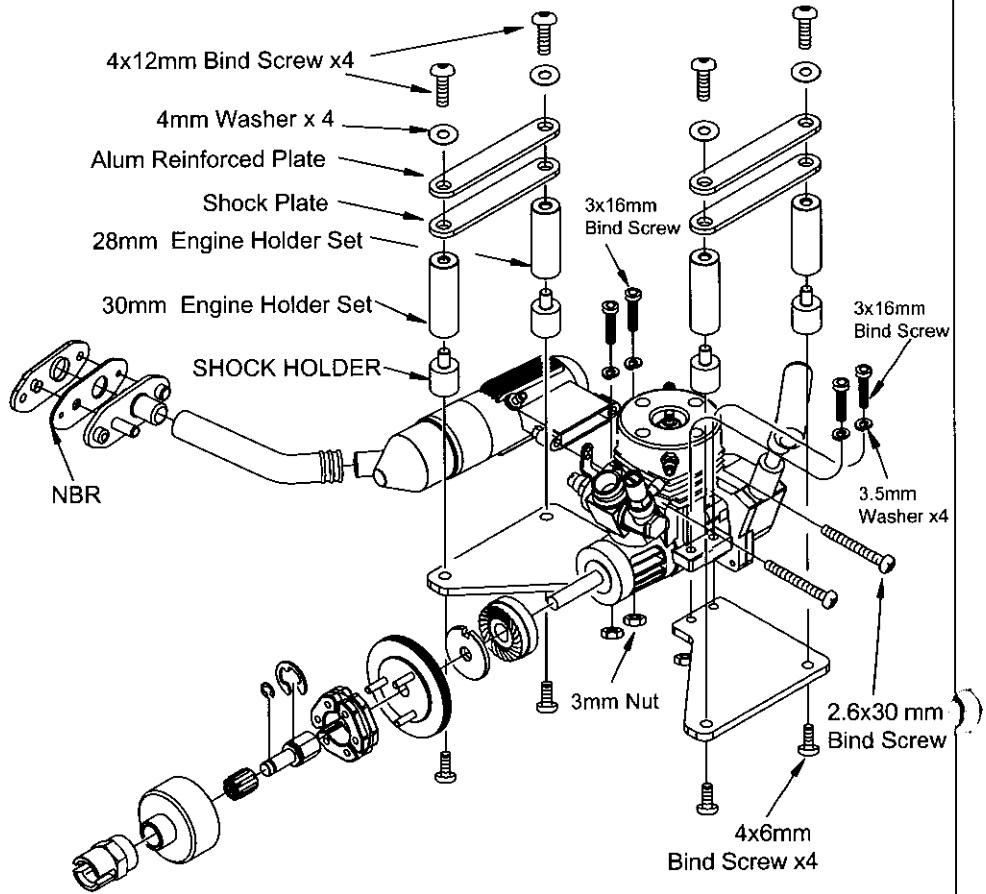
3mm
Nut
Mutter
Ecrou
Tuerca

4

4mm
4mm Washer
Scheide
Rondelle
Arandela 4mm

4

3.5mm
3.5mm Washer
Scheide
Rondelle
Arandela 3.5mm

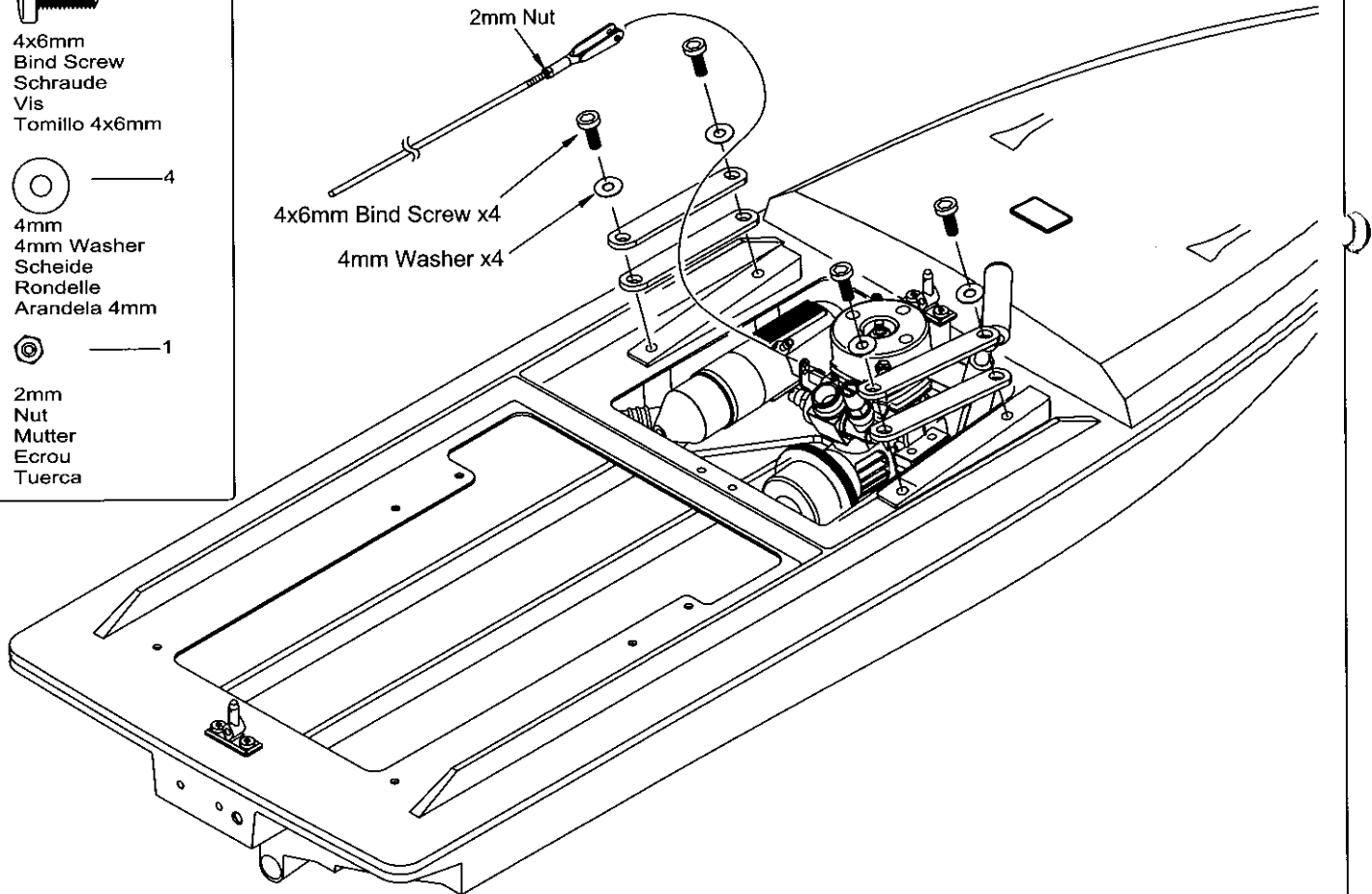


4

4
4x6mm
Bind Screw
Schraude
Vis
Tomillo 4x6mm

4
4mm
4mm Washer
Scheide
Rondelle
Arandela 4mm

1
2mm
Nut
Mutter
Ecrou
Tuerca

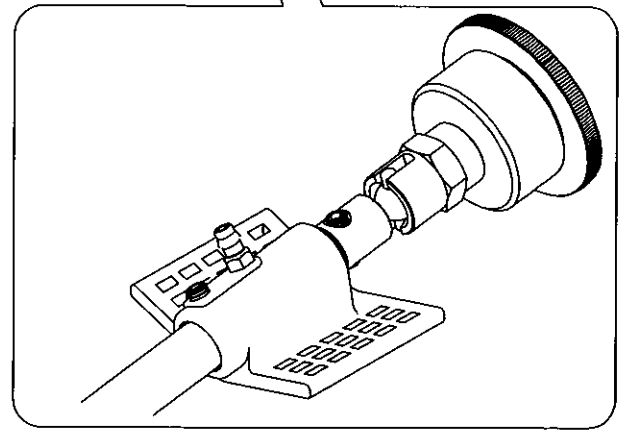
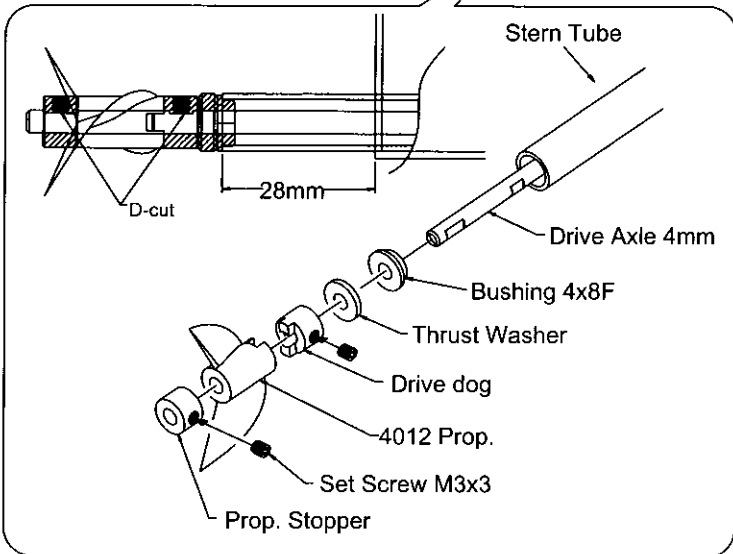
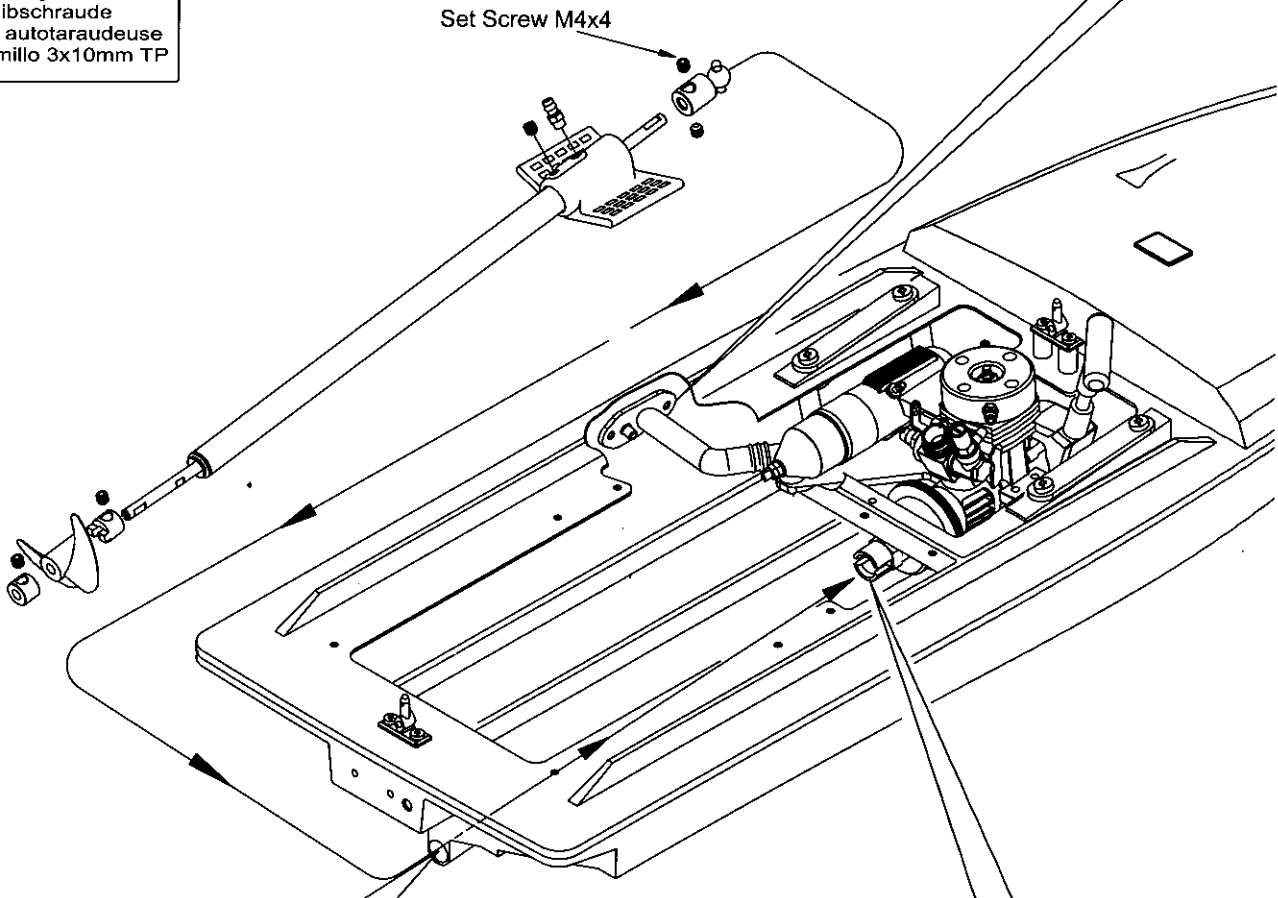
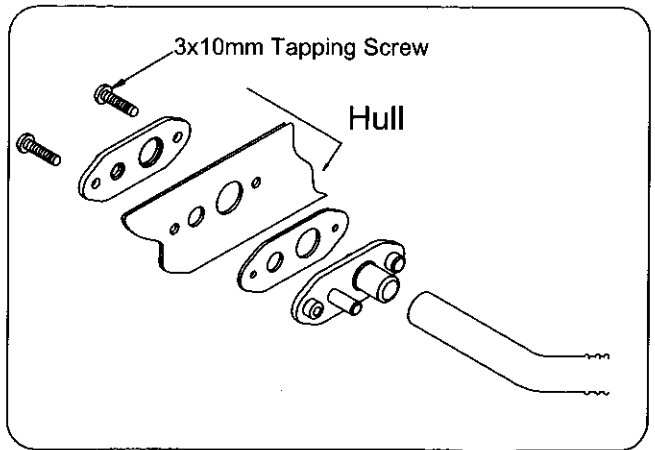
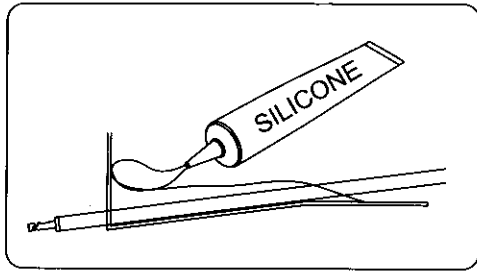




5



■ —2
 3x3mm
 Set Screw
 Schraude
 Vis
 Tornillo 3x3mm

■ —3
 4x4mm
 Set Screw
 Schraude
 Vis
 Tornillo 4x4mm

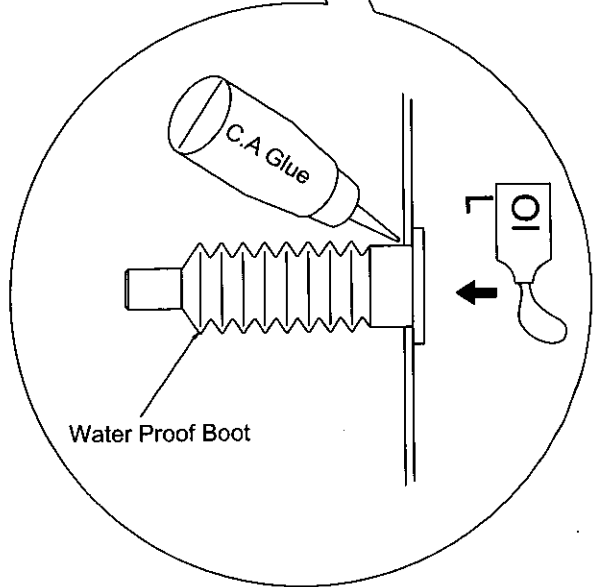
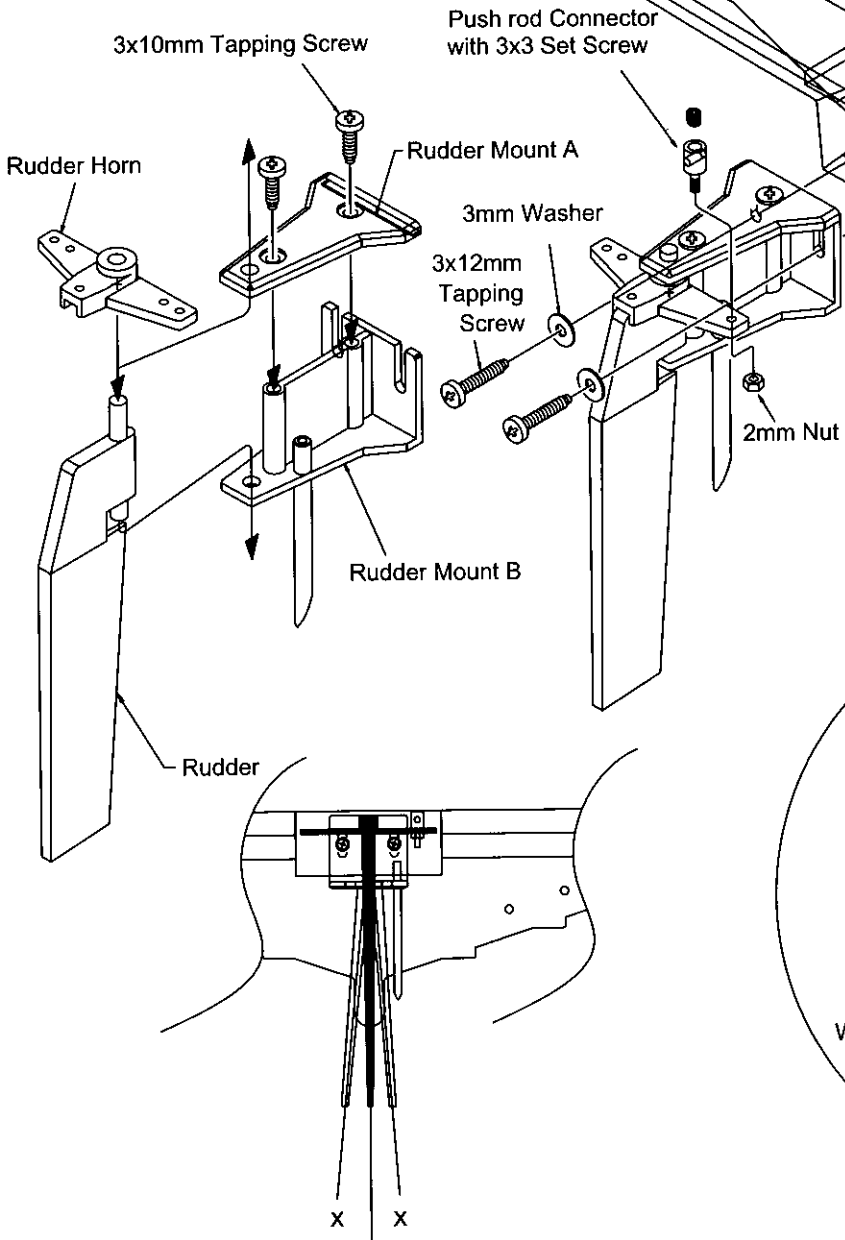
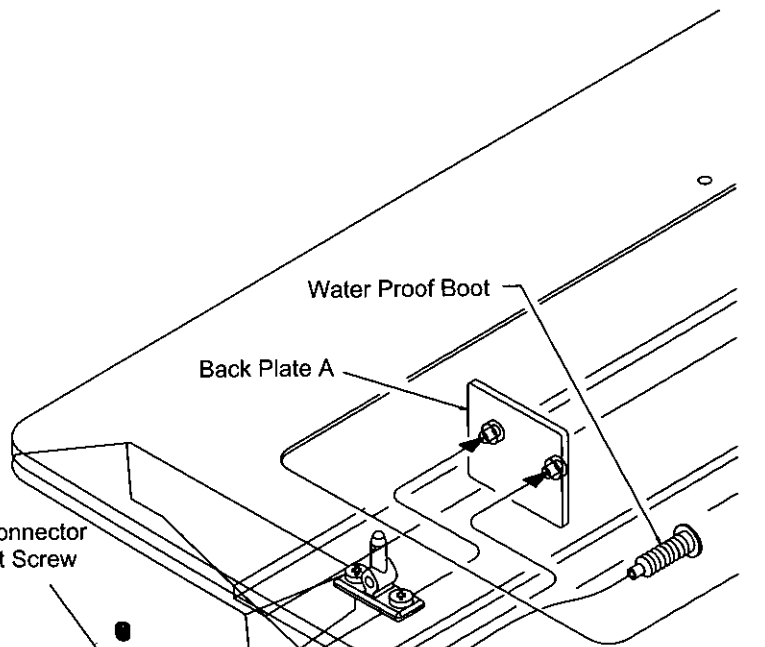
⌘ —2
 3x10mm
 Tapping Screw
 Treibschraude
 Vis autotaraudeuse
 Tornillo 3x10mm TP



-  — 2  — 1
- 3x10mm Tapping Screw 2mm Nut
- Treibschraube Mutter
- Vis autotaraudeuse Ecrou
- Tomillo 3x10mm TP Tuerca

-  — 2  — 2
- 3x12mm Tapping Screw 3mm Washer
- Treibschraube Scheide
- Vis autotaraudeuse Rondelle
- Tomillo 3x12mm TP Arandela 3mm

-  — 1
- 3x3mm Set Screw
- Schraube
- Vis
- Tomillo 3x3mm




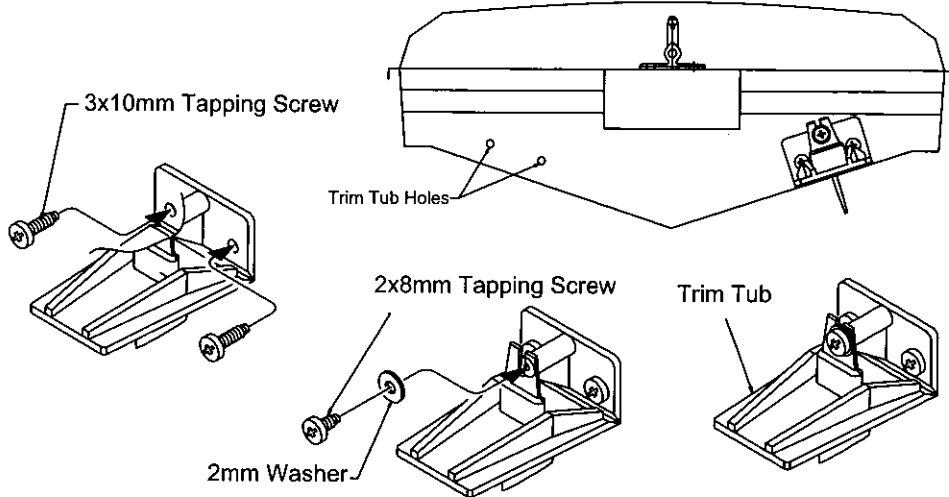
ADJUST

7

 — 2
 2x8mm
 Tapping Screw
 Treibschraude
 Vis autotaraudeuse
 Tomillo 2x8mm TP

 — 4
 3x10mm
 Tapping Screw
 Treibschraude
 Vis autotaraudeuse
 Tomillo 3x10mm TP

 — 2
 2mm
 Washer
 Scheibe
 Rondelle
 Arandela 2mm



8

 — 12
 3x10mm
 Tapping Screw
 Treibschraude
 Vis autotaraudeuse
 Tomillo 3x10mm TP

3x10mm Tapping Screw

R.C. Mech. Box

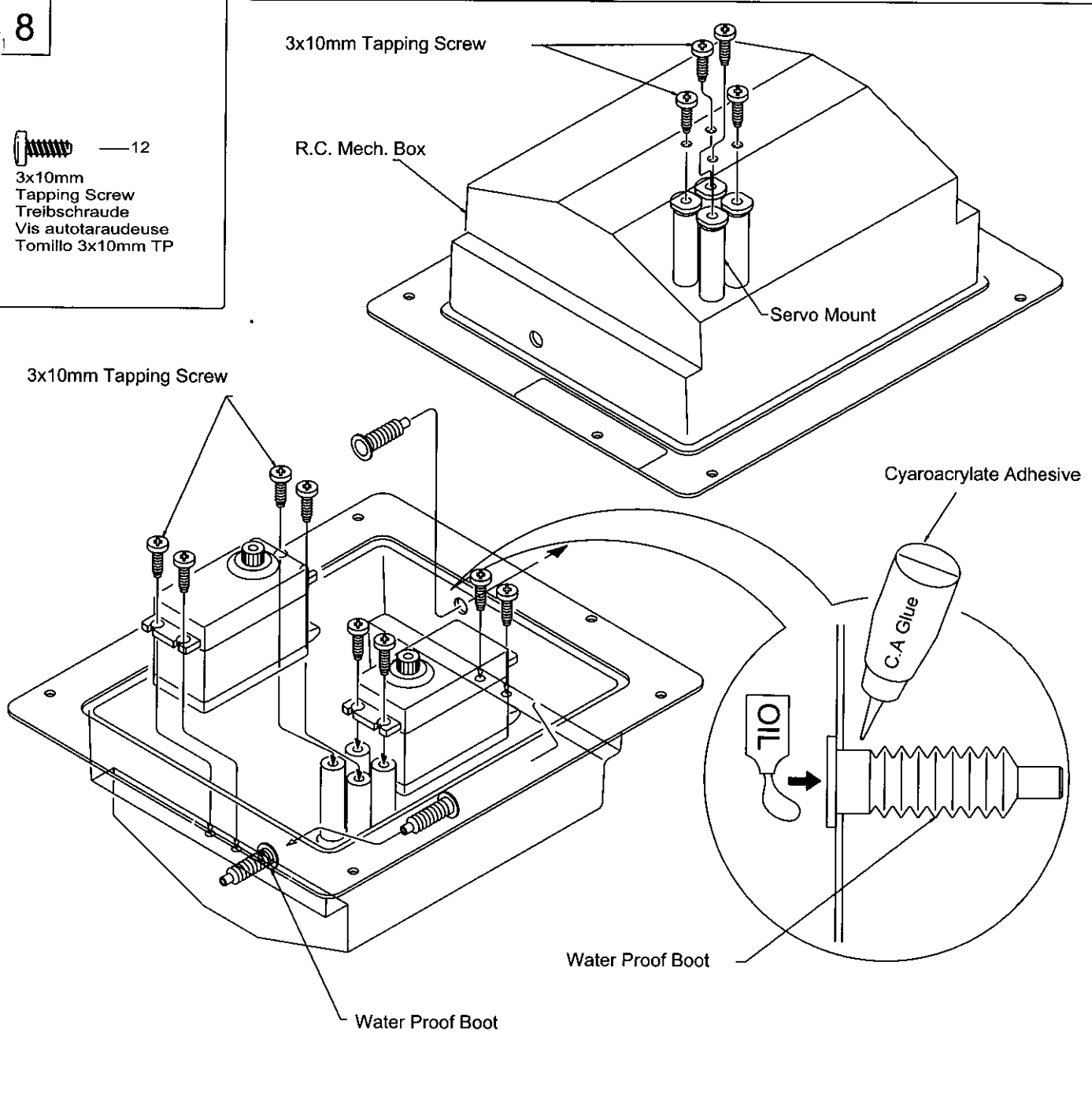
Servo Mount

3x10mm Tapping Screw

Cyanoacrylate Adhesive


Water Proof Boot

Water Proof Boot



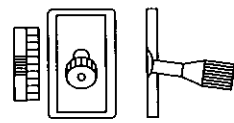
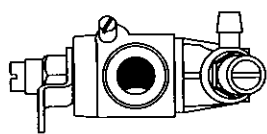
9

 — 4
 3x10mm
 Tapping Screw
 Treibschraube
 Vis autotaraudeuse
 Tomillo 3x10mm TP

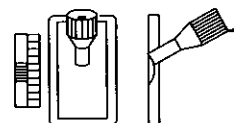
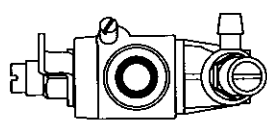
 — 1
 2x8mm
 Bind Screw
 Treibschraube
 Vis autotaraudeuse
 Tomillo 2x8mm TP

 — 2
 3x3mm
 Set Screw
 Schraube
 Vis
 Tomillo 3x3mm

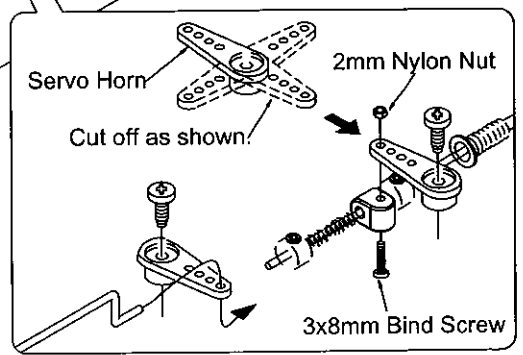
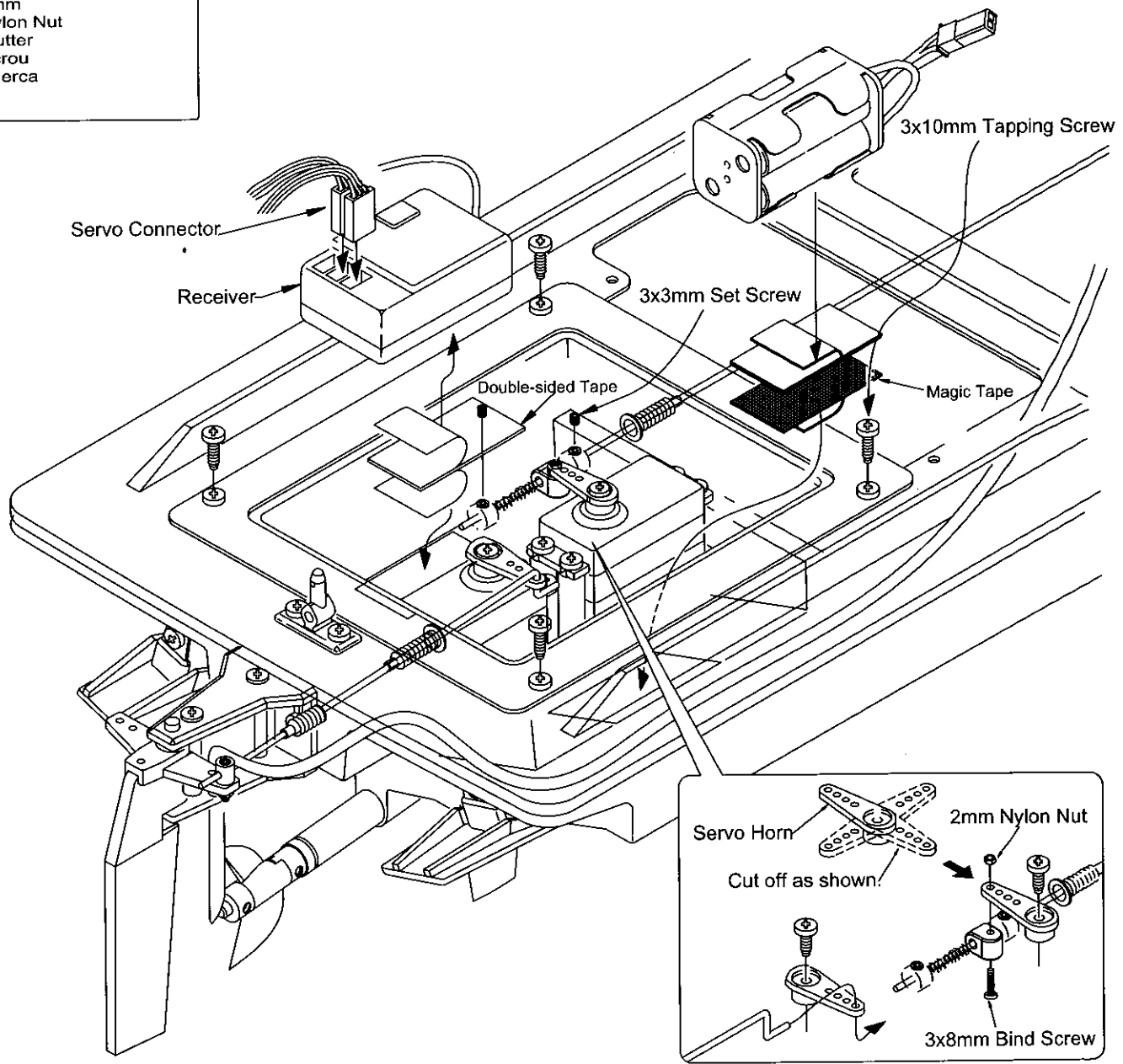
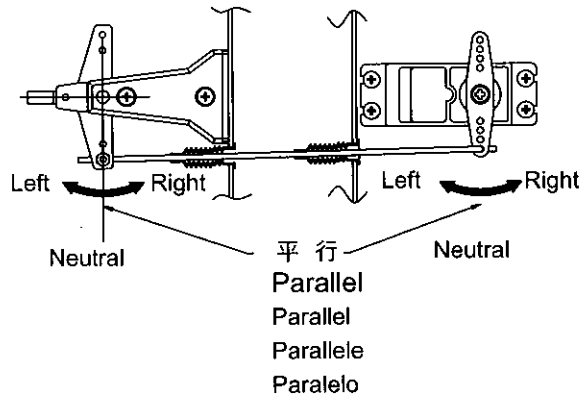
 — 1
 2mm
 Nylon Nut
 Mutter
 Ecrou
 Tuerca



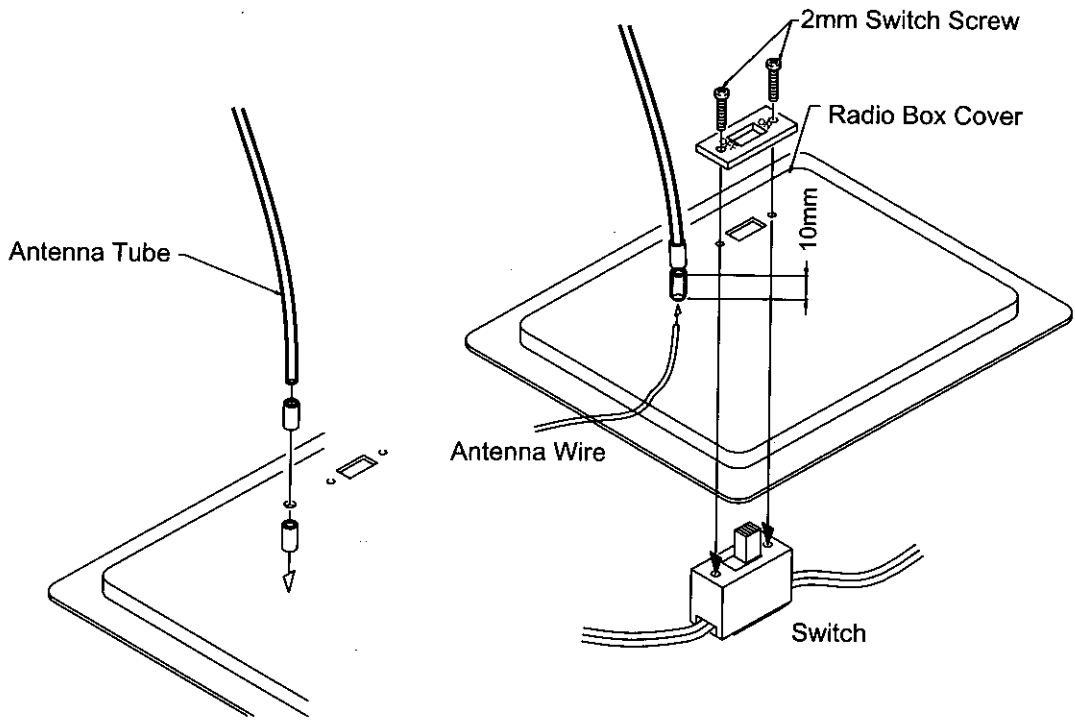
送信機中立位置
 Neutral
 Neutral
 Neutre
 Neutro



送信機高速位置
 Forward
 Vorwärts
 Avants
 Hacia



10




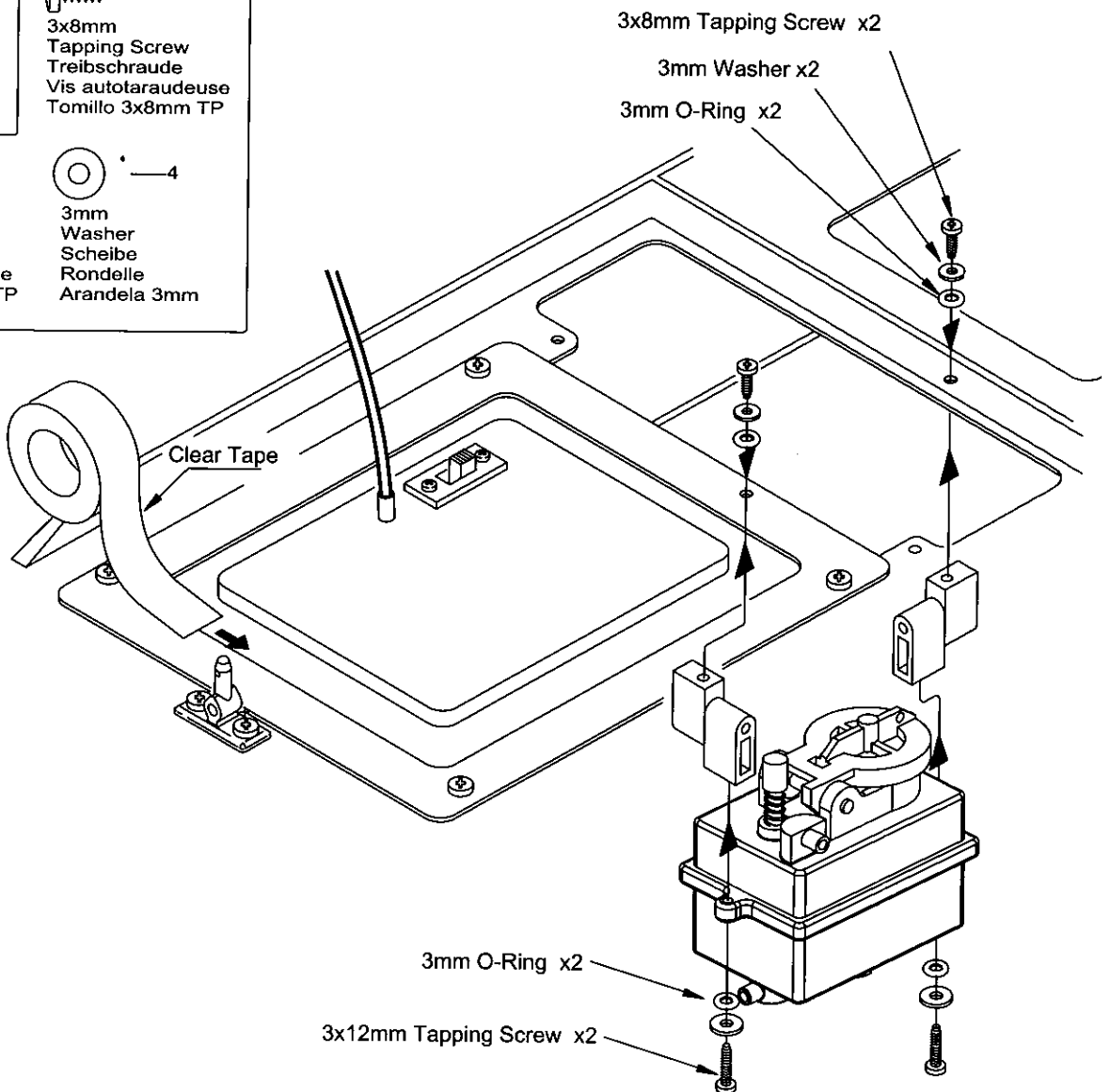
11

船体
Hull
Rumpf
Coque
Casco

 — 2
3x8mm
Tapping Screw
Treibschraube
Vis autotaraudeuse
Tomillo 3x8mm TP

 — 2
3x12mm
Tapping Screw
Treibschraube
Vis autotaraudeuse
Tomillo 3x12mm TP

 — 4
3mm
Washer
Scheibe
Rondelle
Arandela 3mm

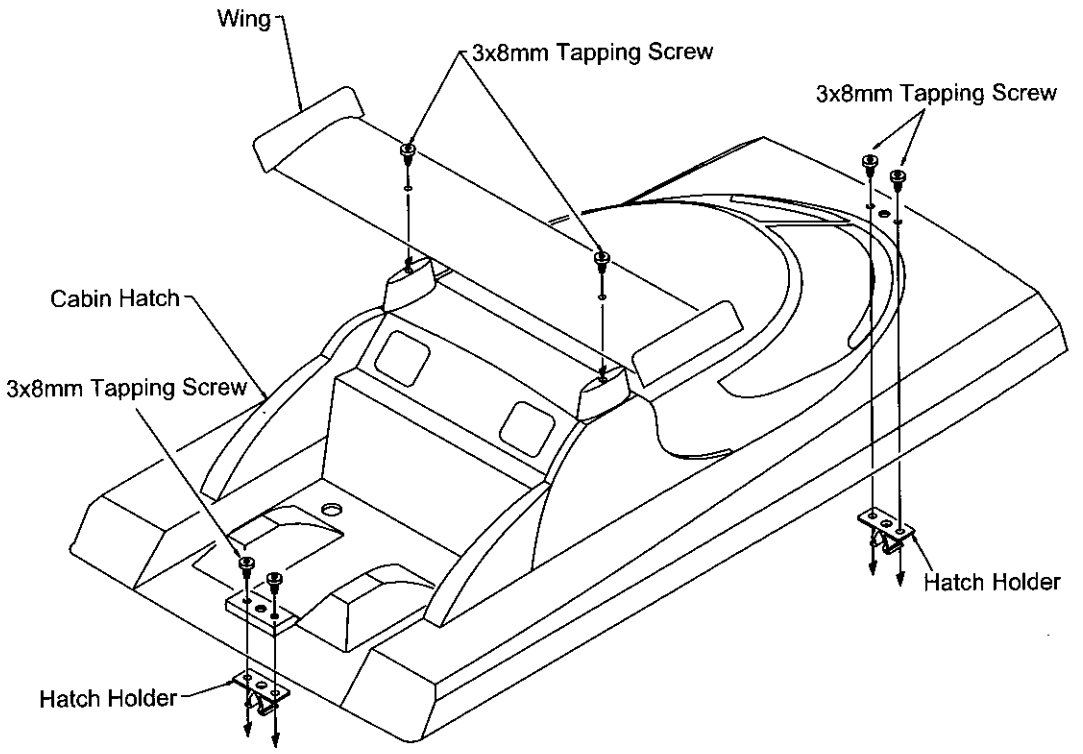


12

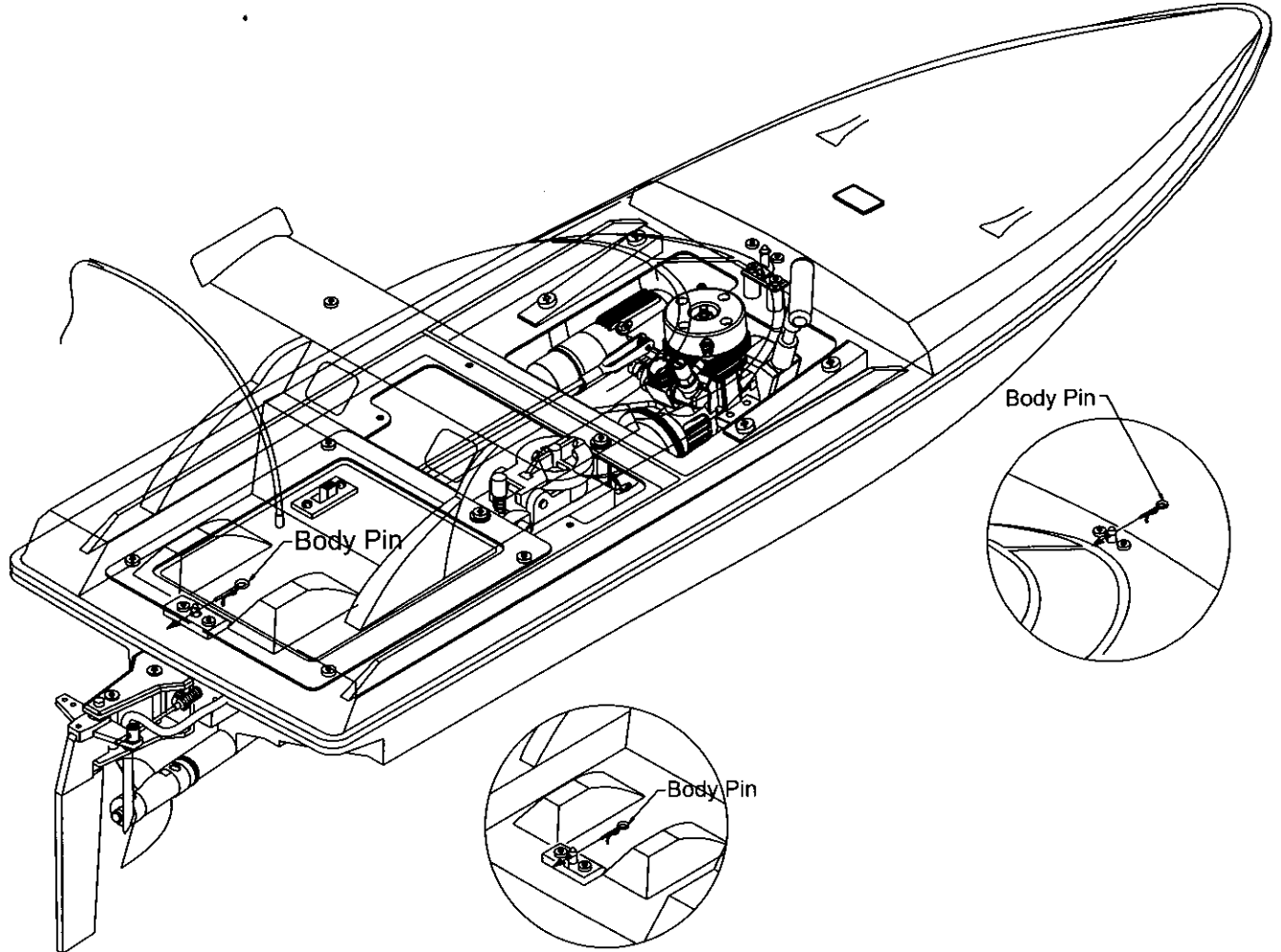


— 6

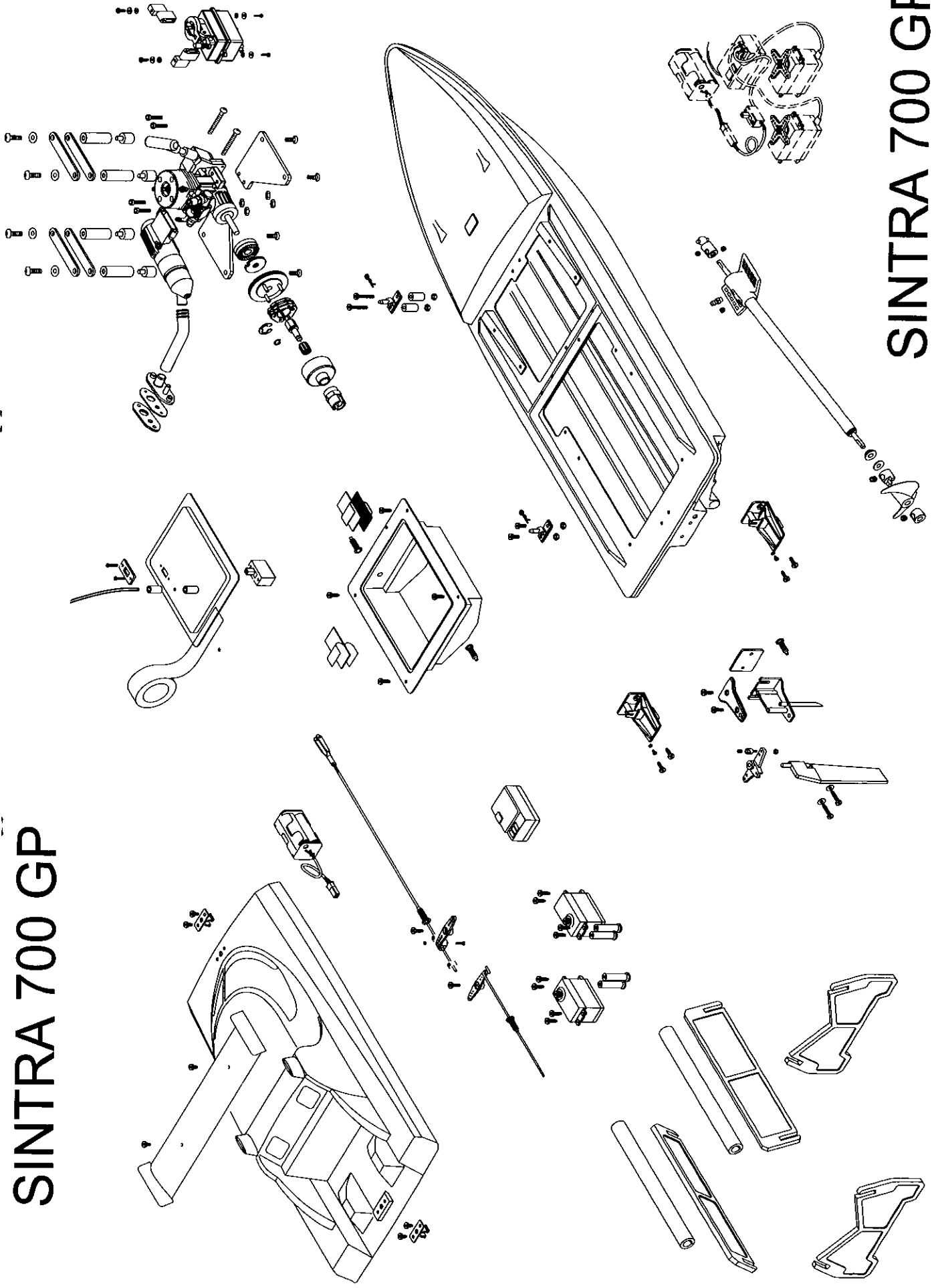
3x8mm
Tapping Screw
Treibschraube
Vis autotaraudeuse
Tomillo 3x8mm TP



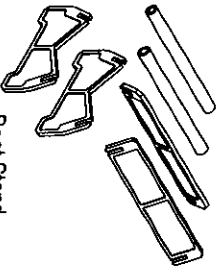
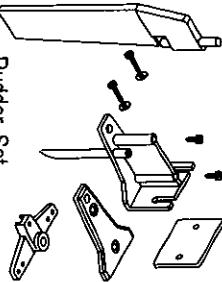
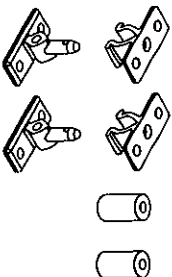
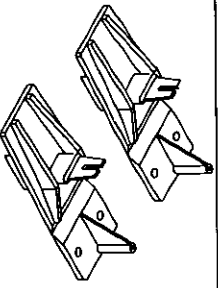
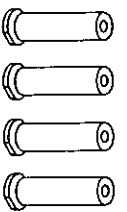
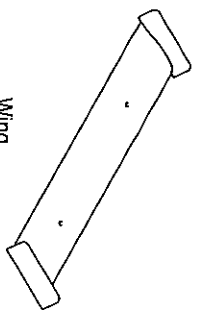


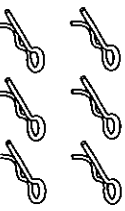

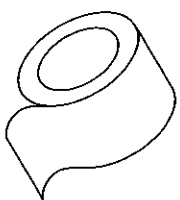
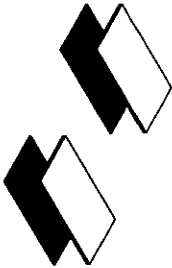
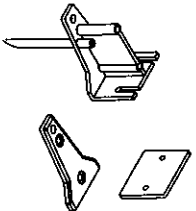
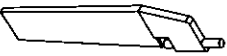
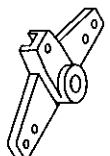
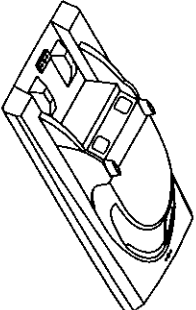
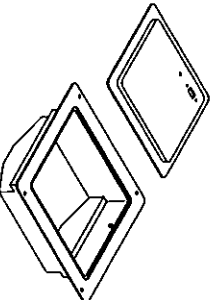
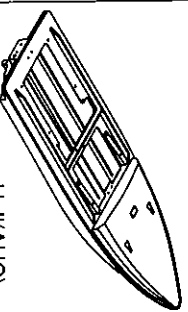
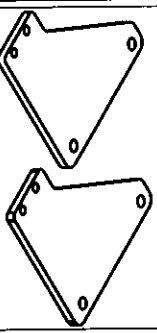
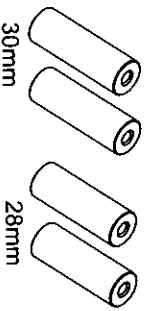
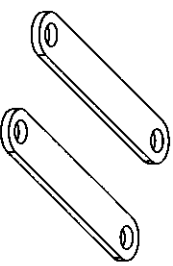
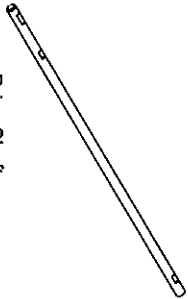
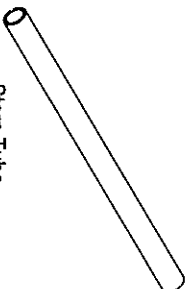
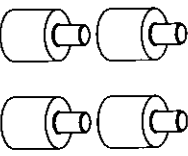
13

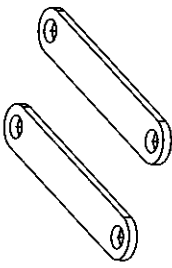
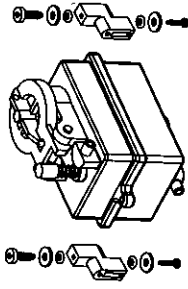
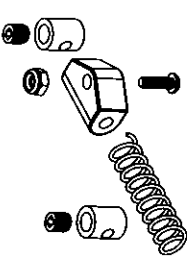
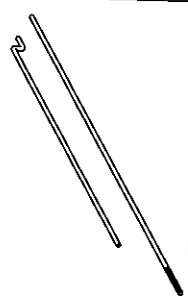
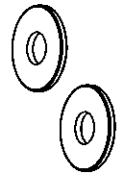

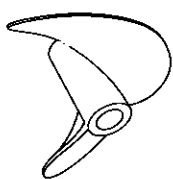
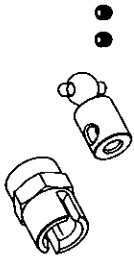
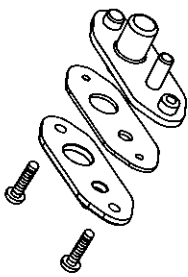
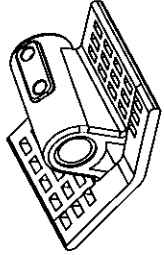

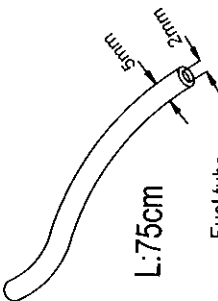
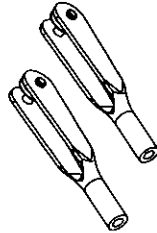
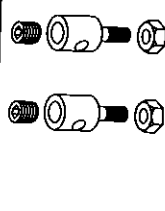
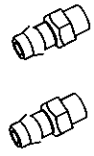
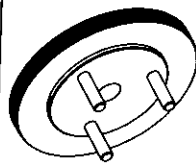
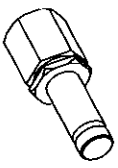
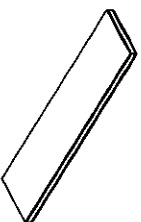
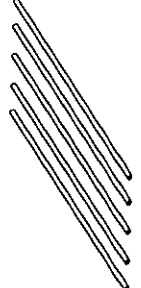
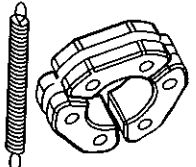
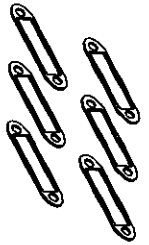
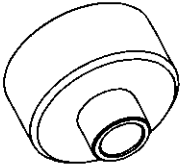


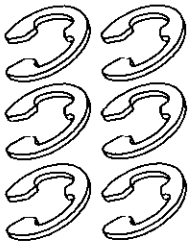



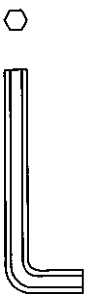


















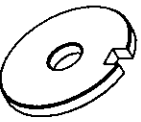
SINTRA 700 GP



SINTRA 700 GP

970009		970010		970013		970014		970015		970019	
船架	Boat Stand	方向舵	Rudder Set	船蓋扣	Hatch Holder	壓水板	Trim Tub	伺服機固定座	Servo Mount	定風翼	Wing
970022		970025		970030		970031		970034		970035	
防水套	Water Proof Boots	傳動輪檔組	Drive Collars	R形插銷	(SSP5) 6PCS Clips	銅襯	Bushing 4X8F 4PCS	透明膠帶	Clear Tape	魔術膠帶	Magic Tape
970047		970048		970049		971011		971012		971013	
方向舵承座	Rudder Mount	方向舵	Rudder	方向舵擺臂	Rudder Horn	船蓋	Cabin Hatch	接收機盒	Receiver Box	船體	Hull(AHC)
971020		971021		971022		971038		971039		971025	
引擎固定座	Engine Mount 2Pcs	引擎支柱組	Engine Holder Set 30mm 28mm	補強片	Alum Reinforced Plate	傳動軸	Drive Shaft	鋁套管	Stern Tube	避震柱	Shock Holder 4Pcs
											

971026		Shock Plate 2Pcs 避震墊片	971027		Fuel Tank 75cc 75cc油箱組	971028		Connecting Rod Set 緩衝式連桿組	971029		Rudder Rod 拉桿組	971030		Trust Washer 2Pcs 8mm止推華司	971031		Decals 貼紙	1PCS 111360
971032		Propeller 4012 螺旋槳	971034		萬向傳動組	971035		排氣接頭組	971036		Muffler 15級排氣管	971037		Silicon Exhaust Deflector 排氣軟管	1Pcs 250372			
121400		Fuel tube L:75cm	180020		Quick Link 2 Pcs 鋼製連桿頭	180280		Push Rod Connector 2PCS 可調式連桿頭	180370		Clutch Bearing 塑膠軸承組	250230		Fly Whell 三片式飛輪	250372			
250381		Pilot Shaft 引擎連接軸	250610		Double Sided Tape 泡棉雙面膠帶	250620		Antenna Tube 5PCS 天線套管	250700		Clutch shoe 3 points 三片式離合器	250830		Washer 排氣墊片	251704		Clutch Bell 離合器罩	

254004	254029	254030	254031	254032	254069
 E-Ring(E-7.0) 6PCS	 Set Screw 3X3 6PCS	 Set Screw 4X4 6PCS	 Hex Wrench 1.5MM 6PCS	 Hex Wrench 2MM 6PCS	 Taping Screw 3X8 6PCS
E 型扣環	無頭內六角	無頭內六角	六角扳手	六角扳手	結合十字自攻
254070	254072	254073	254074	254075	254076
 Taping Screw 3X10 6PCS	 Bind Screw 3X8 6PCS	 Bind Screw 3X25 6PCS	 Nut 3MM 6PCS	 Washer 2X5 6PCS	 Washer 3MM 6PCS
結合十字自攻	結合十字自旋	圓頭十字自旋	螺帽	華司	華司
254077	254078	254079	254083	254092	254093
 Washer 4MM 6PCS	 Taping Screw 2X8 6PCS	 Nylon Nut 2mm 10PCS	 Taping Screw 3X12 6PCS	 O-Ring 6PCS	 Nylon Nut 3mm 6PCS
華司	圓頭十字自攻	防鬆螺帽	結合十字自攻	O 型環	防鬆螺帽
254094	254095	254096	254097	254064	810322
 Spring Washer 磁3.5mm 6PCS	 Hex Screw 6PCS	 Hex Screw4-12 6PCS	 Hex Screw4-6 6PCS	 E-Ring(E-3.0) 6PCS	 驅動墊圈
彈簧華司	圓頭內六角自旋	圓頭內六角自旋	圓頭內六角自旋	E 型扣環	驅動墊圈